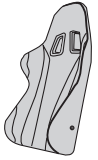
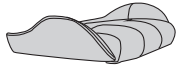


# ASSEMBLY INSTRUCTION

## Parts



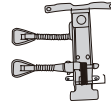
1 Backrest



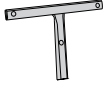
2 Seat



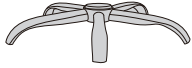
4 Armrest x2



6 Control unit



8 T-type frame



3 Base



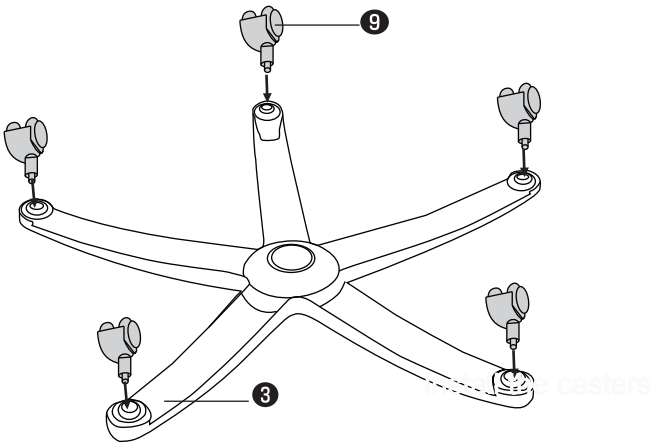
5 Gas lift



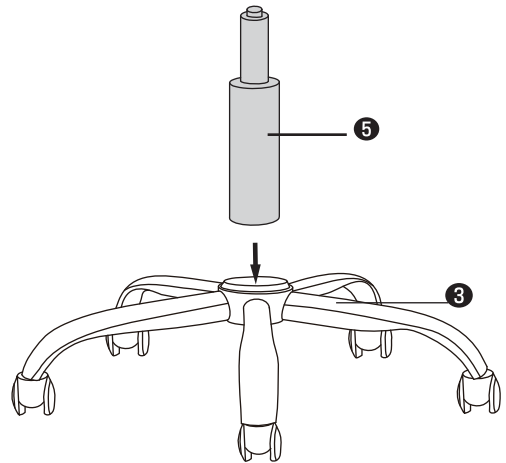
9 Casters x 5

	12	M6*20 x4
	13	M6*35 x2
	14	M6*40 x1
	15	M8*40 x4
	17	M6x18x7
	18	M2x24x2
	20	x1

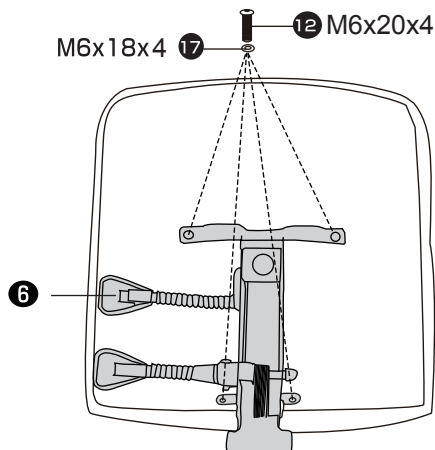
### 1 Install the casters



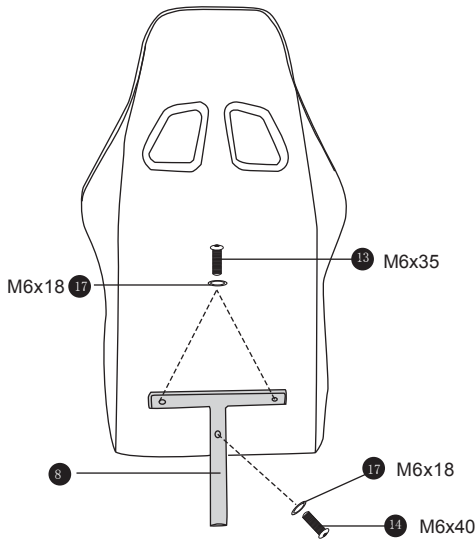
### 2 Install the gas lift and plastic cover



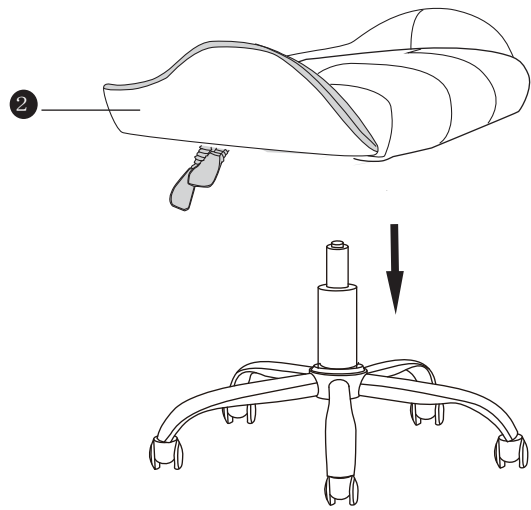
### 3 Fix the control unit to the base of the seat



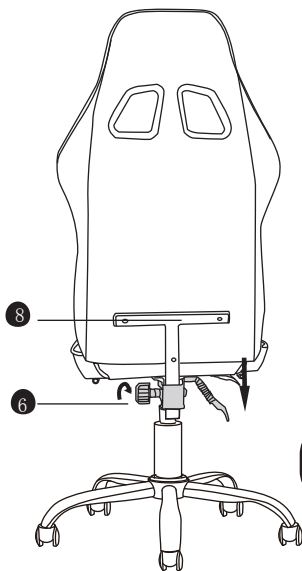
**4** Assemble the T-shaped frame on the back.



**5** Insert the gas lift into the control unit .

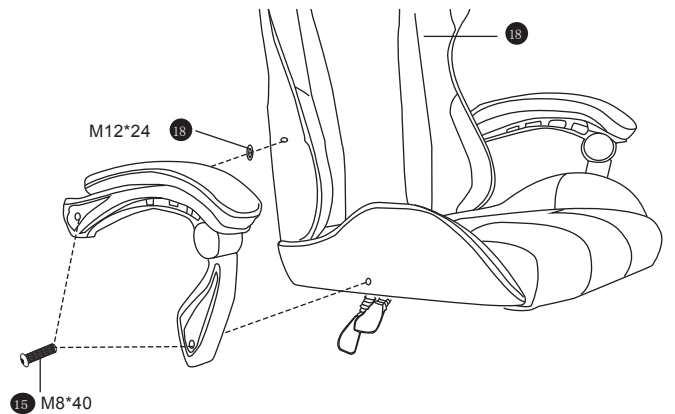


**6** Insert the T-type frame of backrest into the control unit .



Please ensure the end of T type frame is exposed.

**7** Fix the armrests to the base of the seat and tighten the screw.



**8**



**!** Only trained personnel may replace or repair seat height adjustment components with energy accumulators.

**WARNING:** This products contains chemicals known to the State of California to cause cancer and birth defects or other reproductive harm.